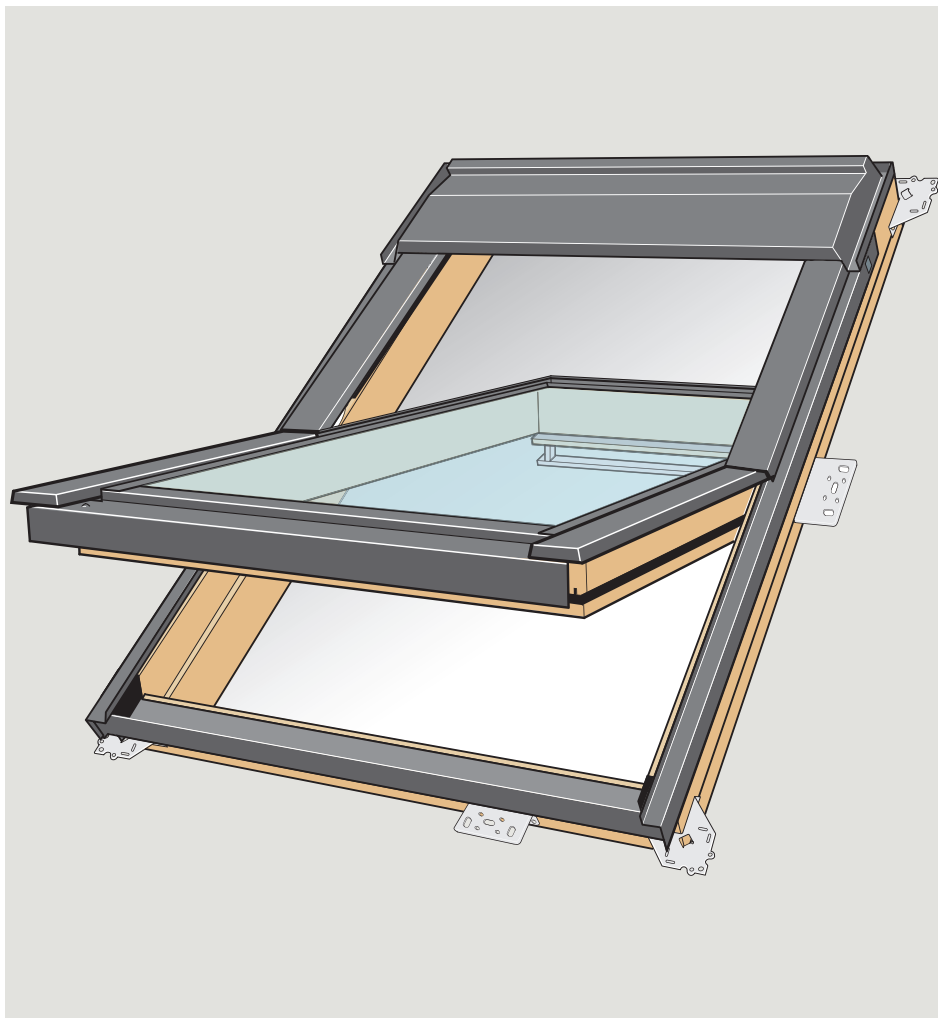
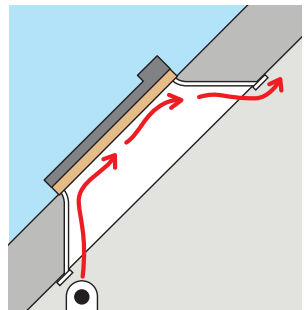
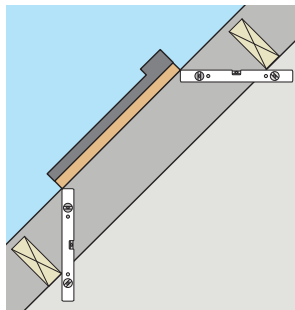
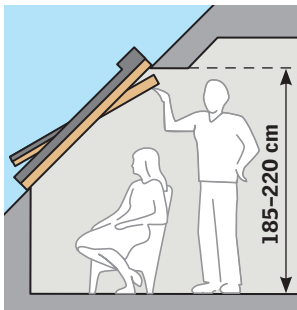
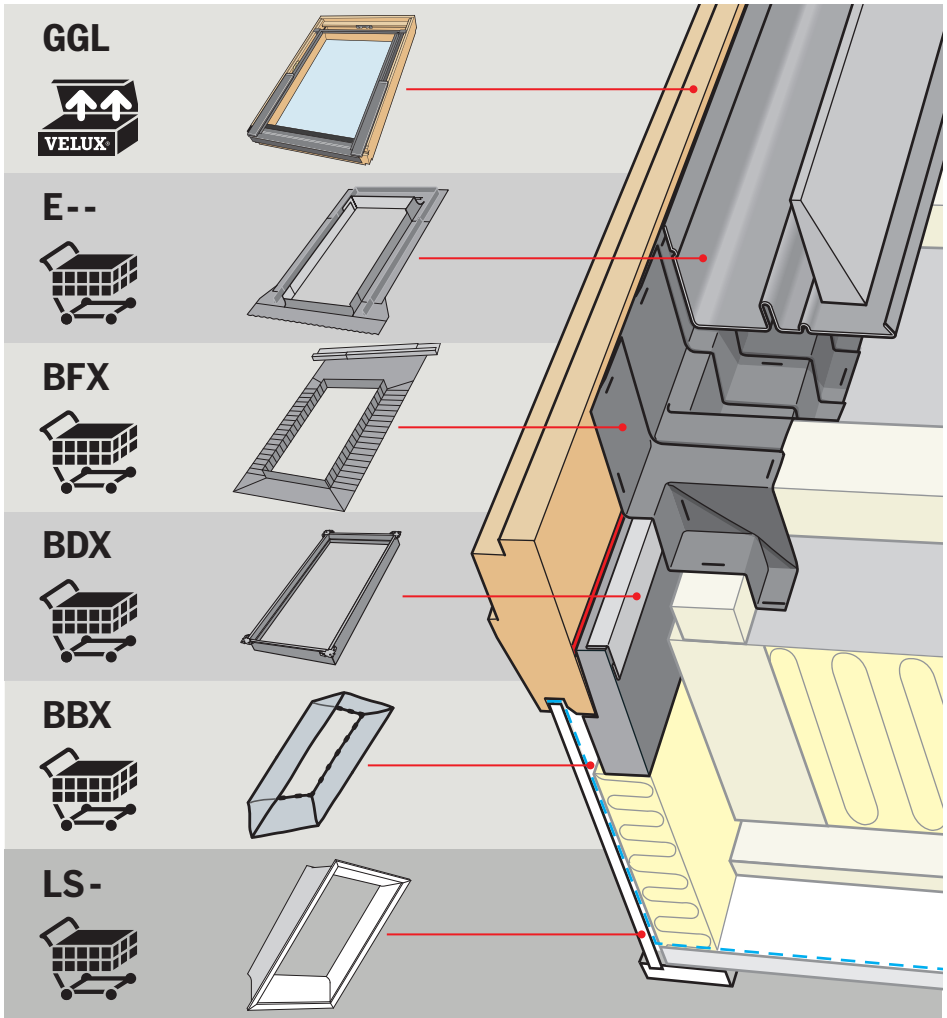


VELUX®

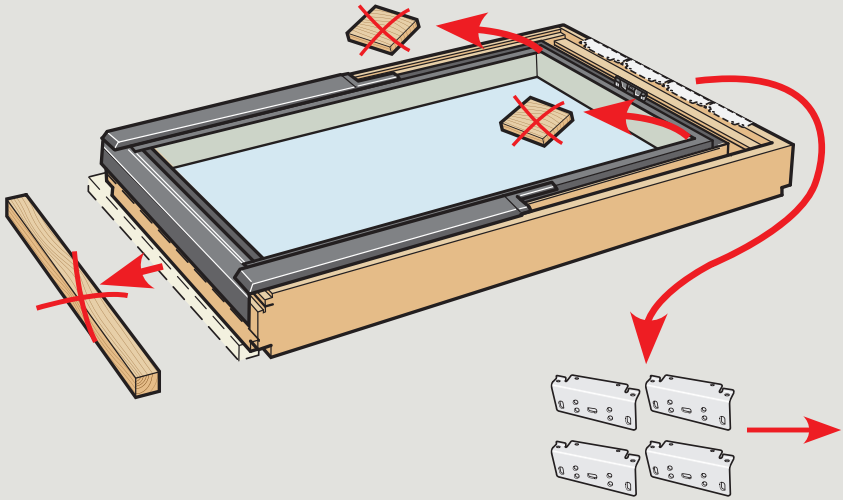
GGL --Q



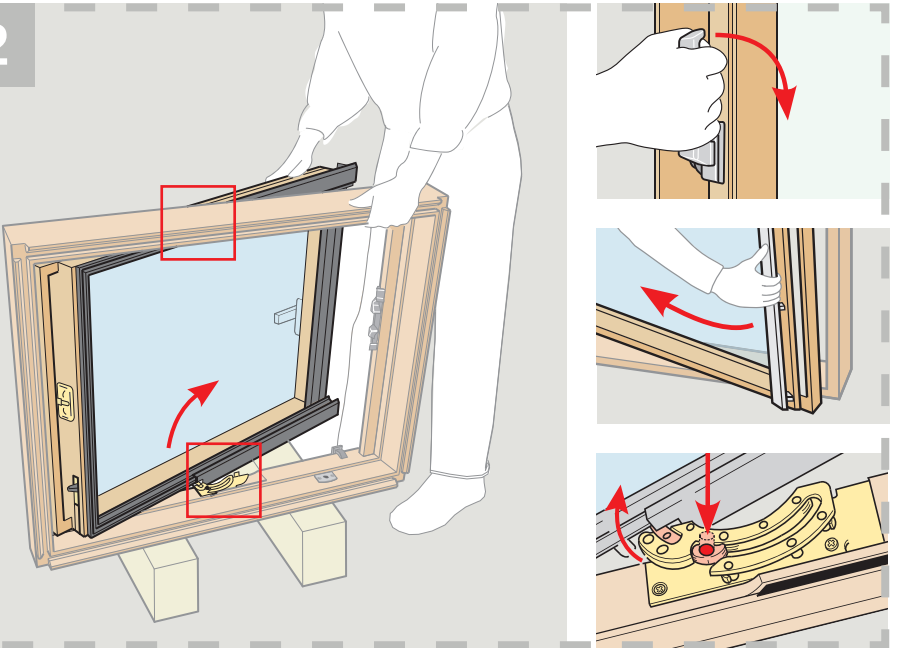
VAS 452155-0608

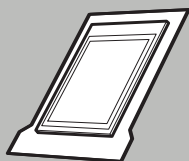


1

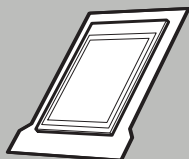


2

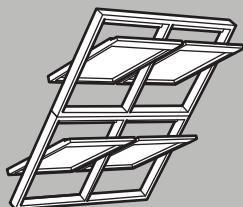




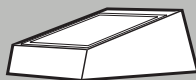
EDW / EDZ / EDL / EDS



EDE / EDP / EDB



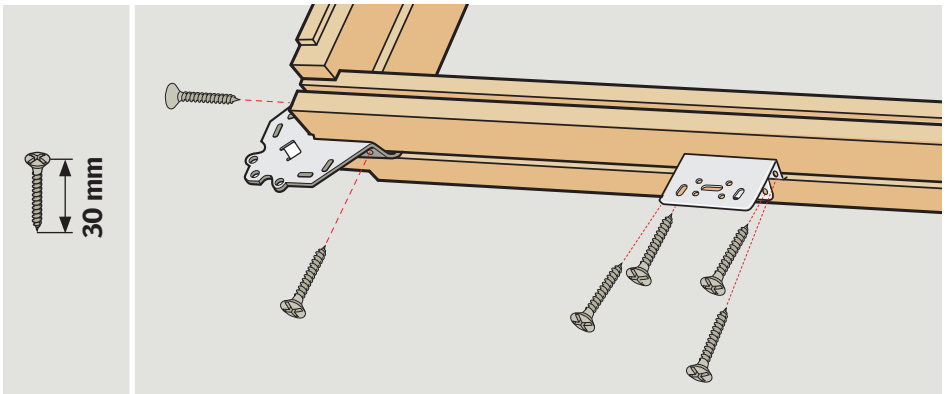
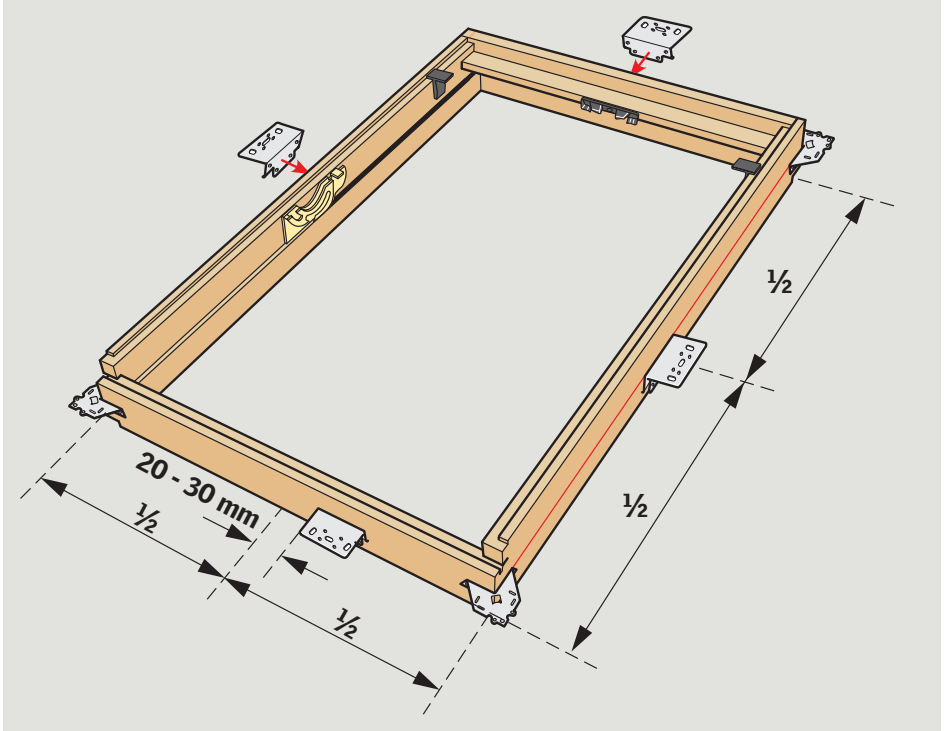
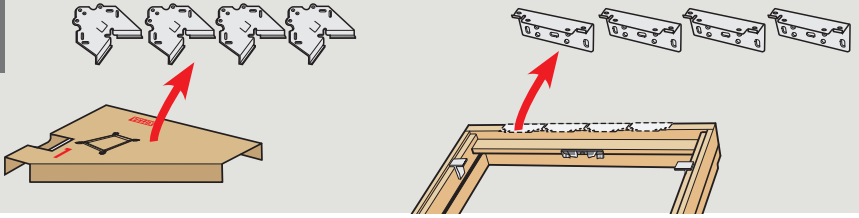
EK-

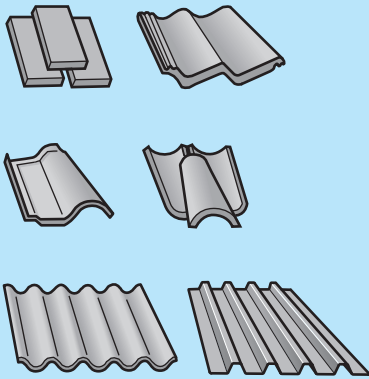


ECX

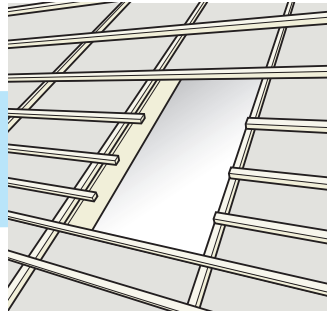


3

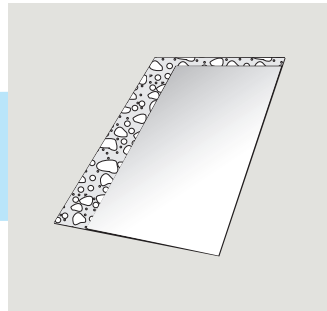




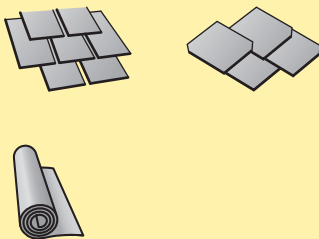
EDW/EDZ



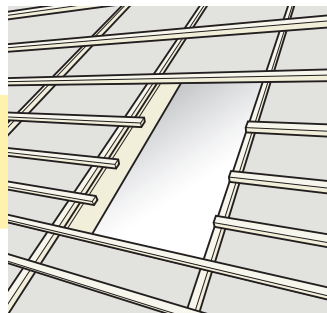
4a



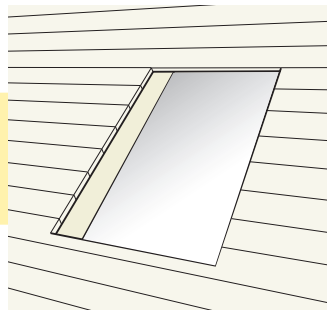
4b



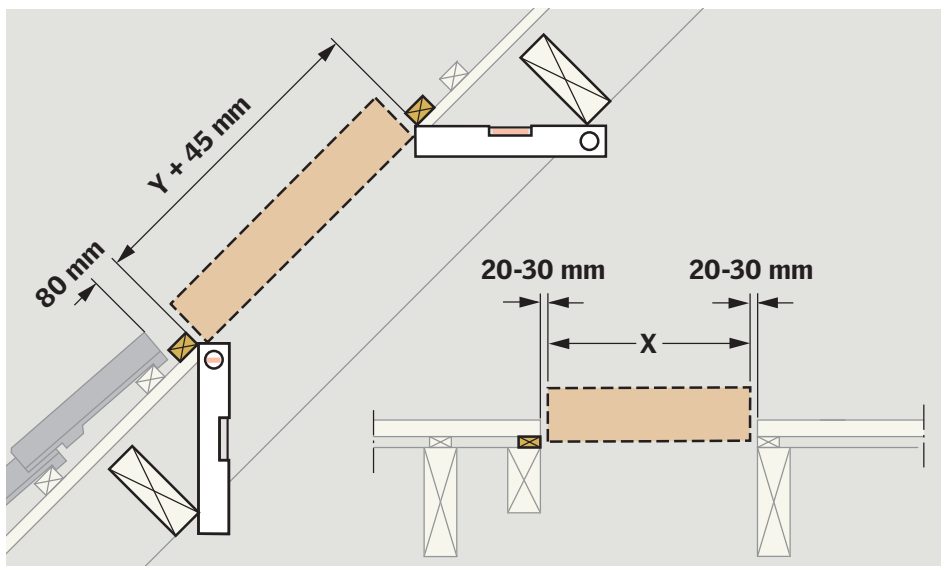
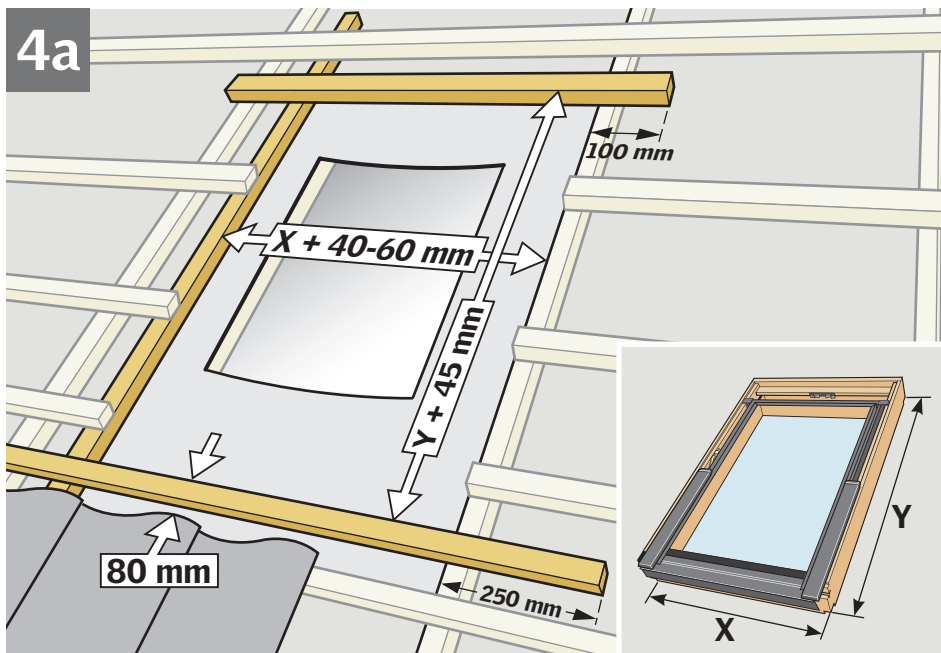
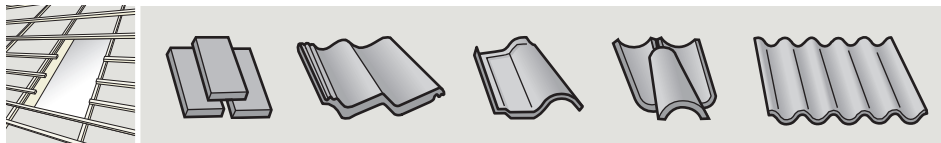
EDL/EDS

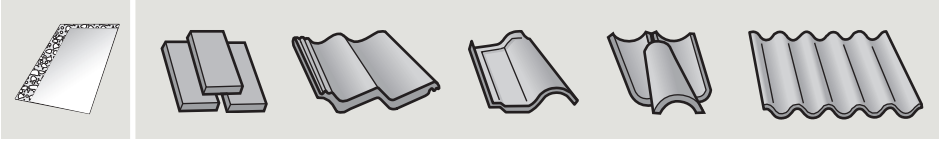


4c

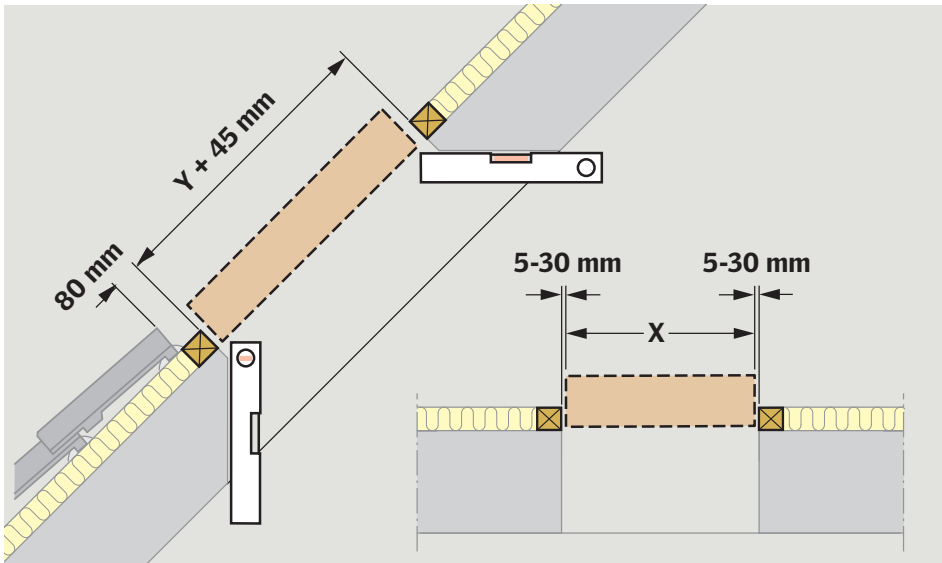
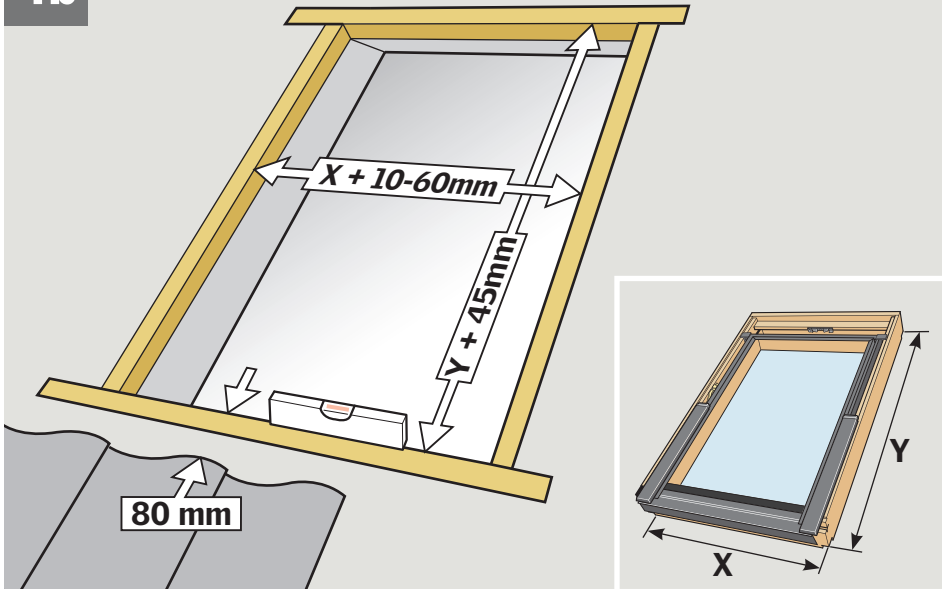


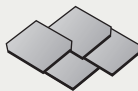
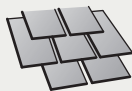
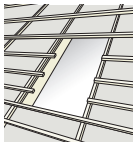
4d



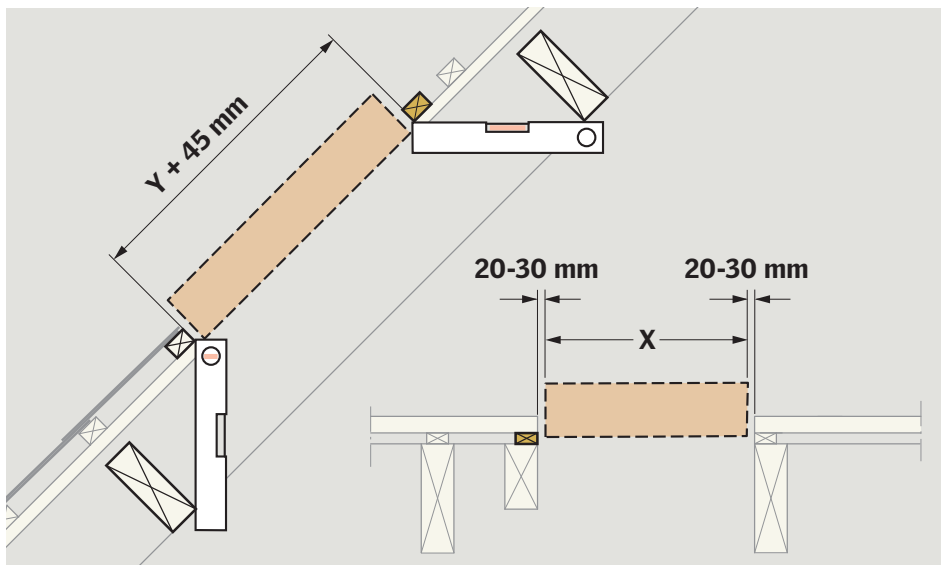
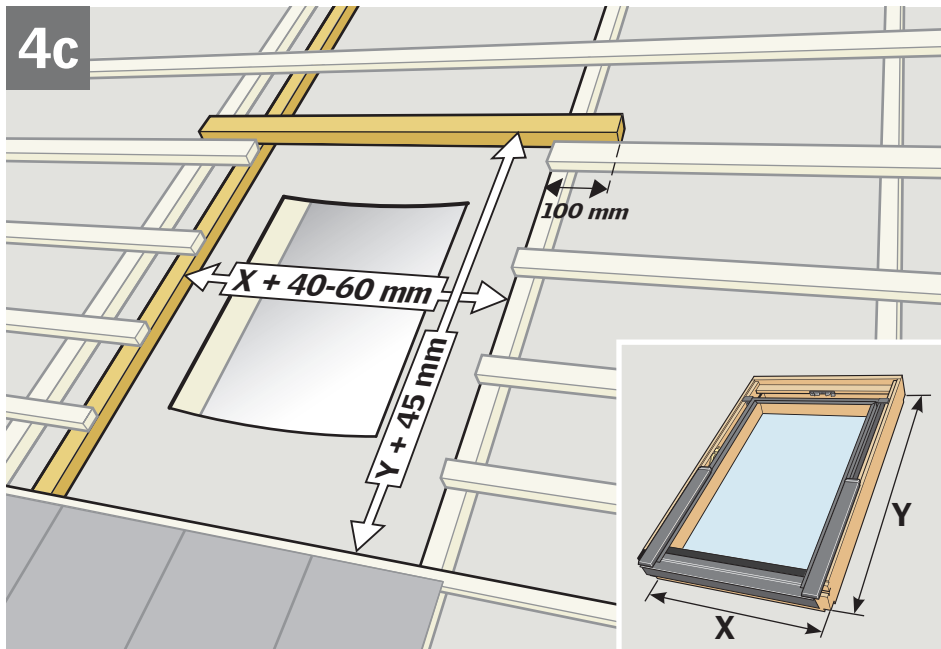


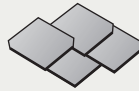
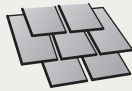
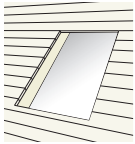
4b



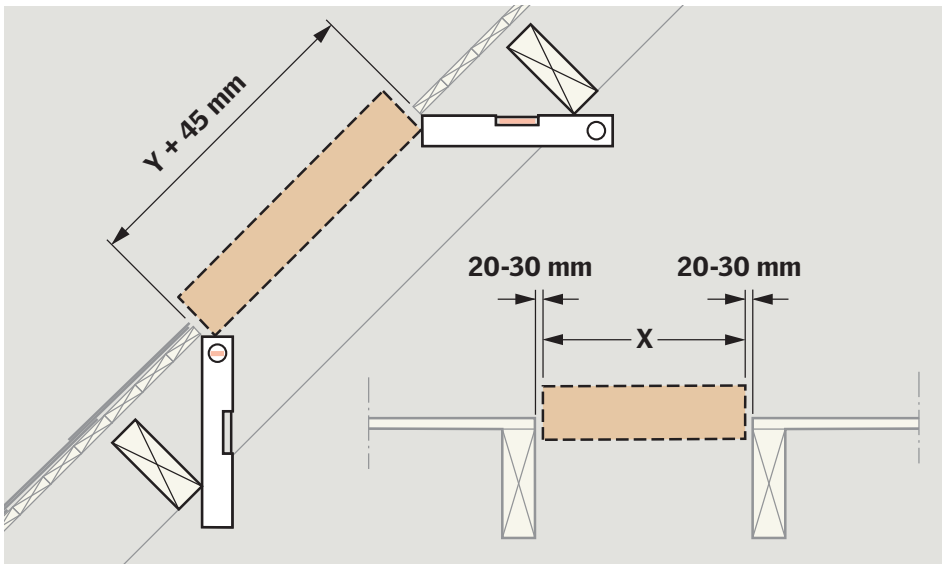
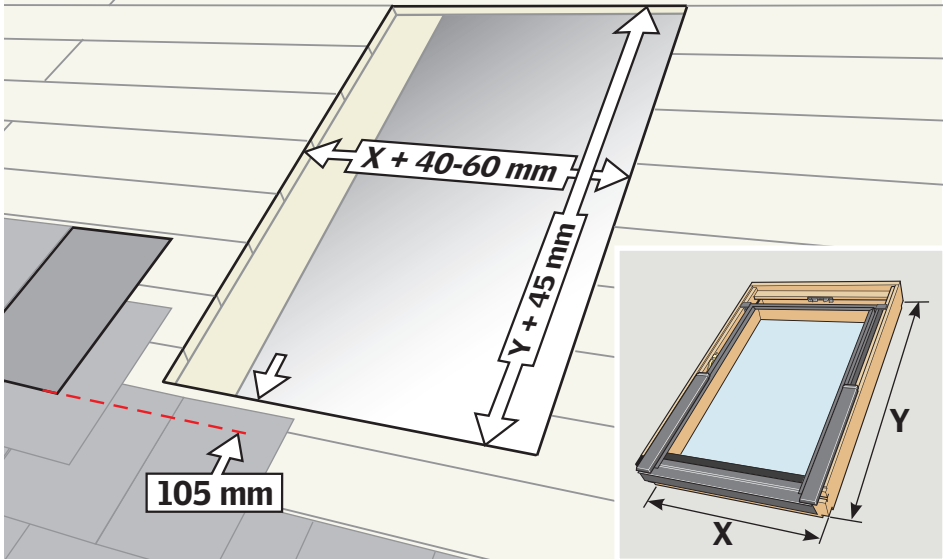


4c

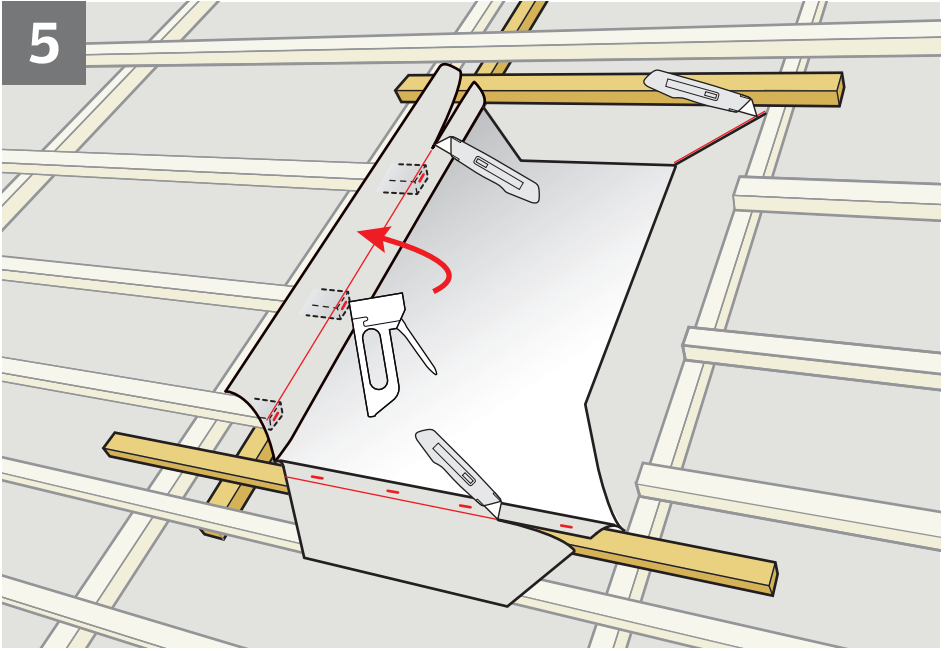




4d

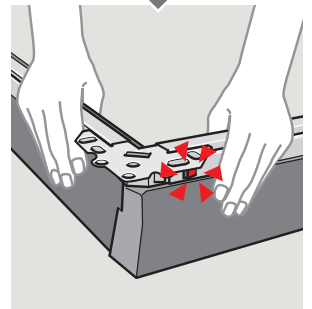
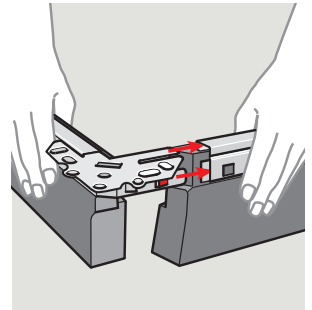
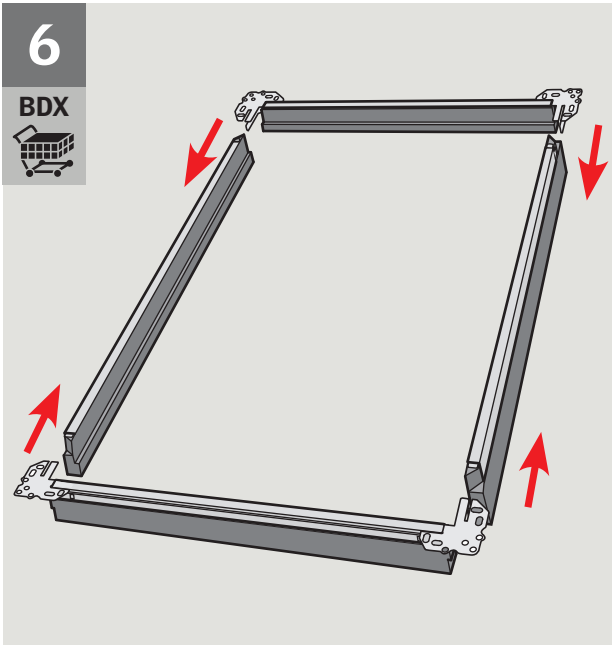


5



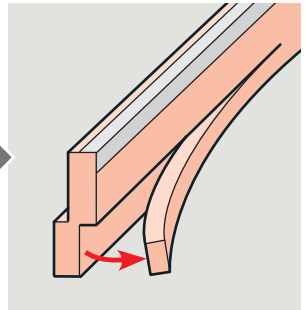
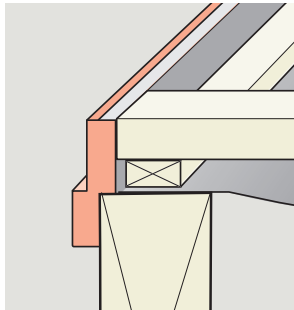
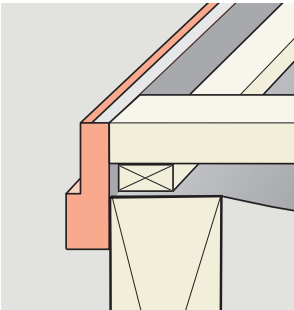
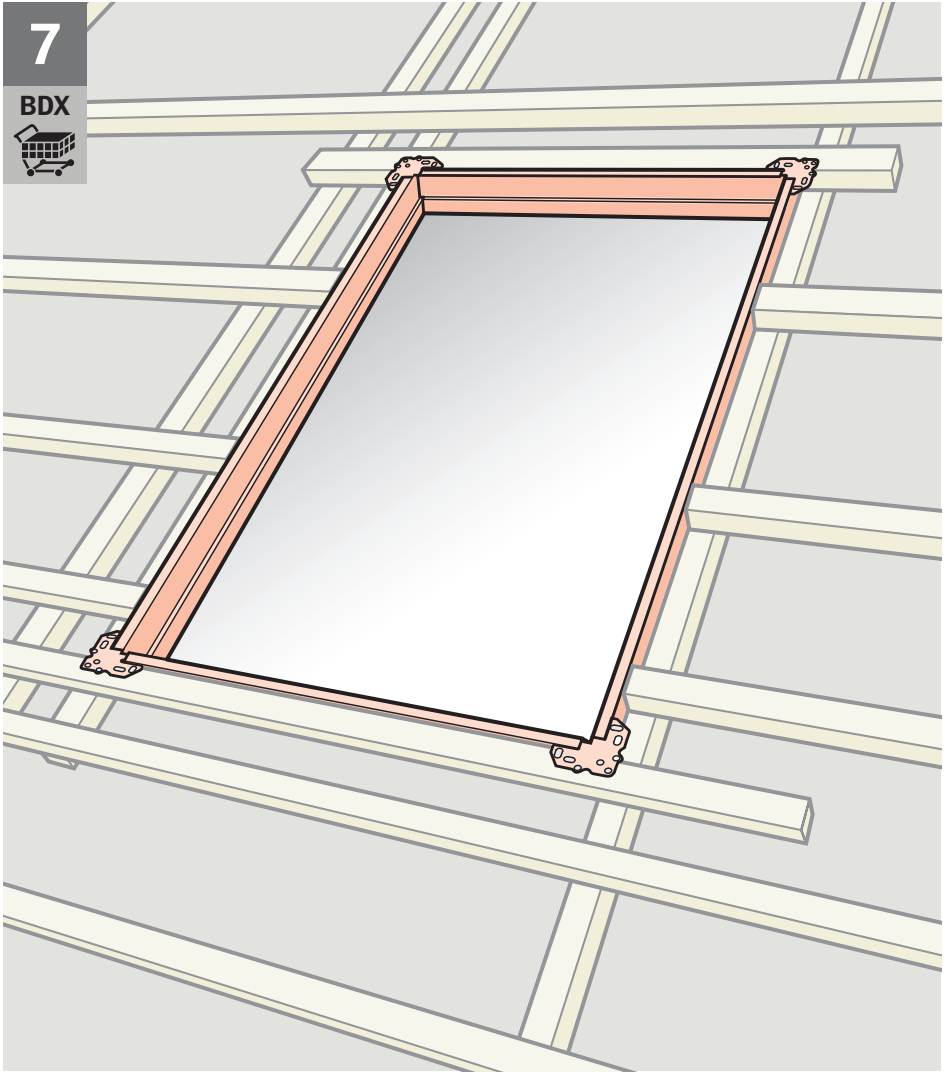
6

BDX

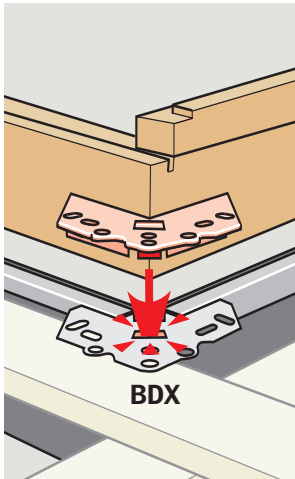
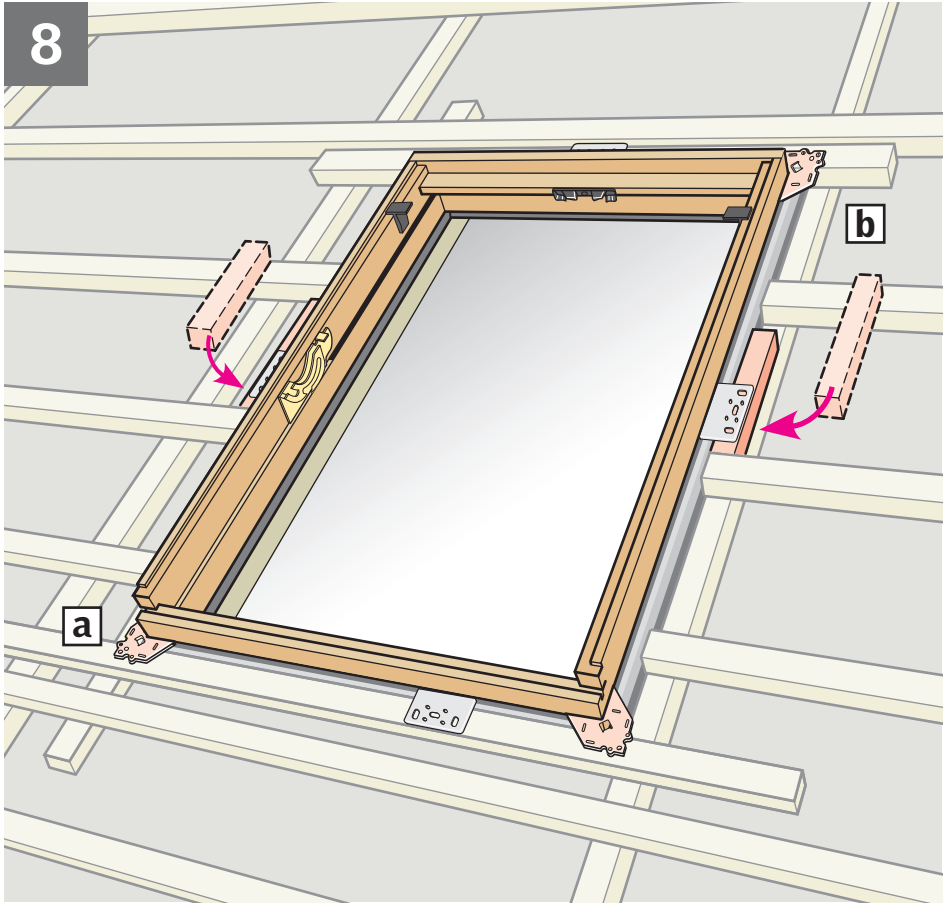


7

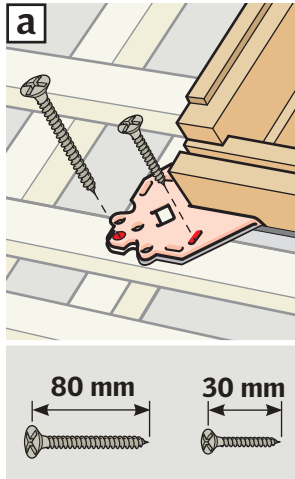
BDX



8

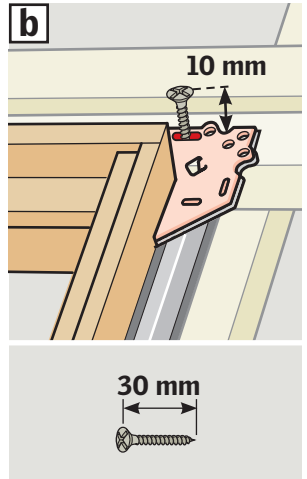


BDX



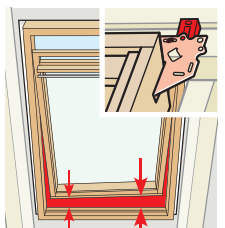
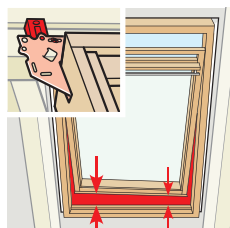
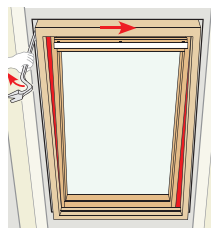
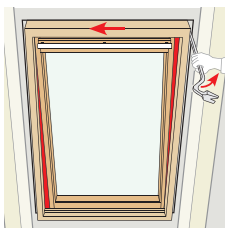
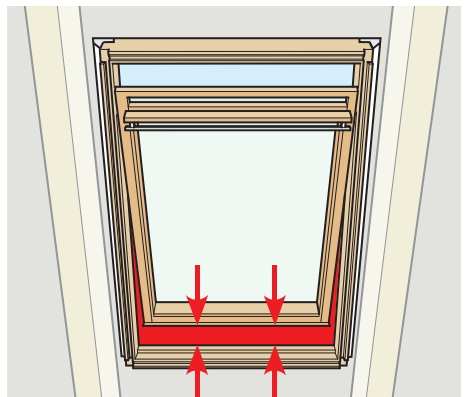
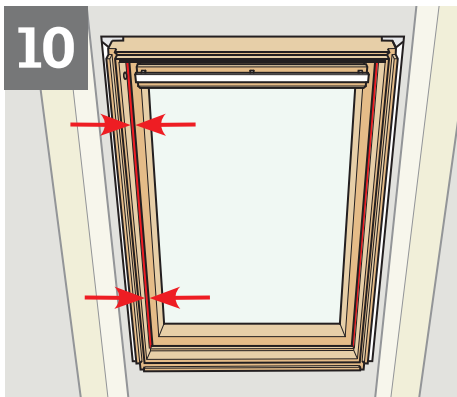
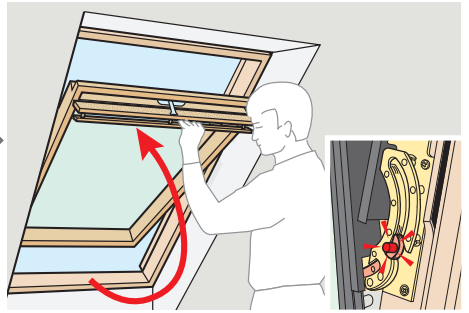
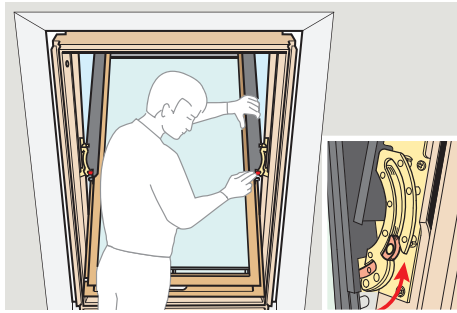
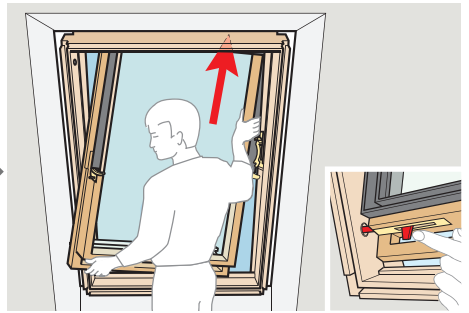
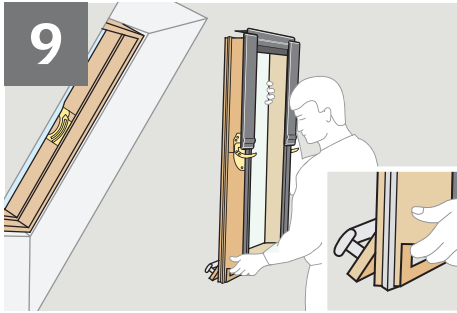
80 mm

30 mm

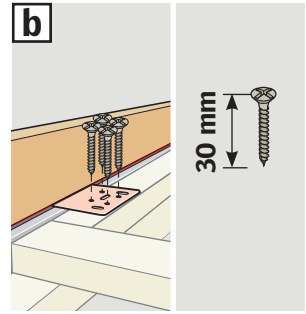
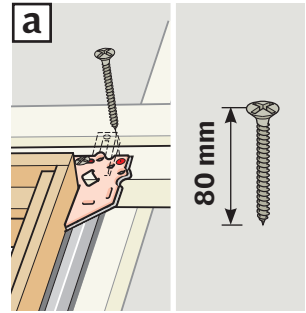
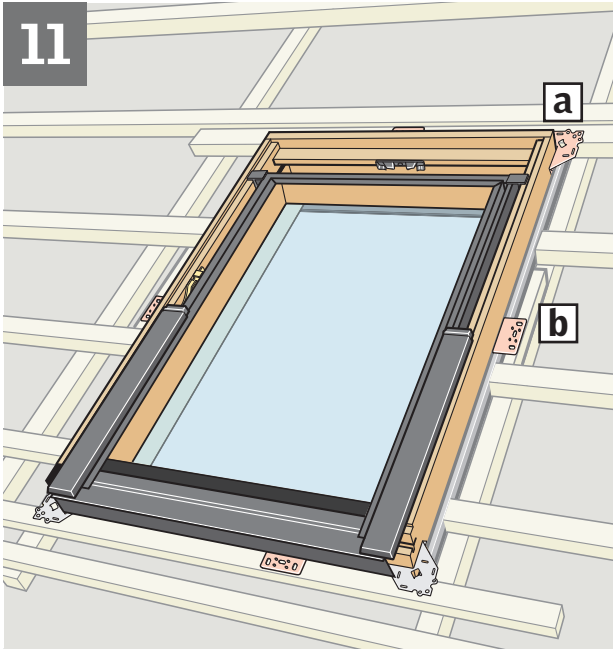


10 mm

30 mm

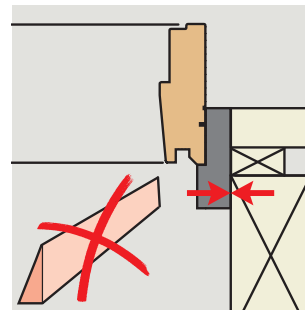
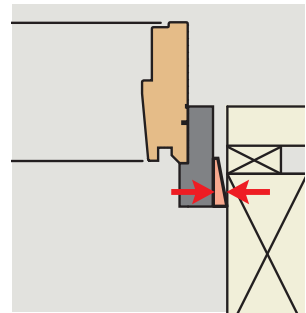
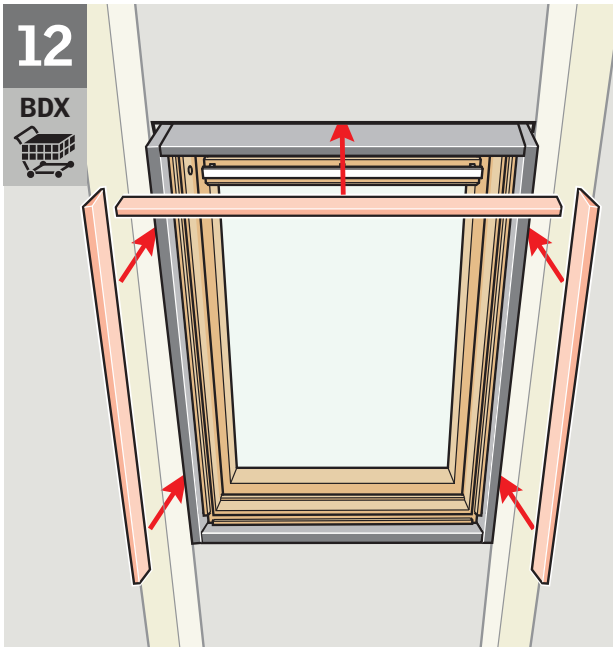


11

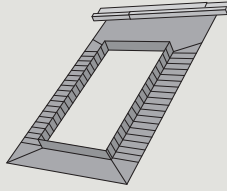


12

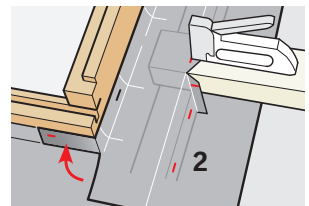
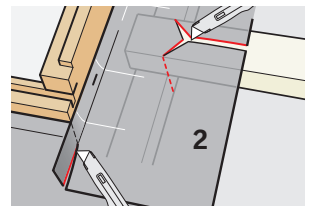
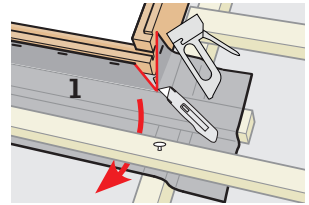
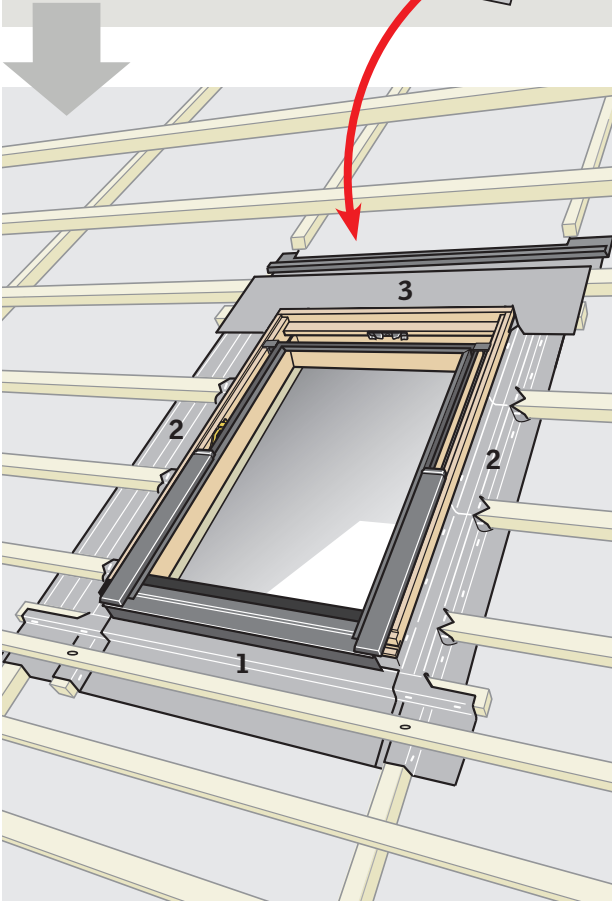
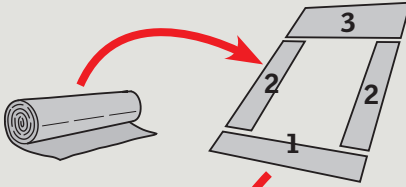
BDX



BFX



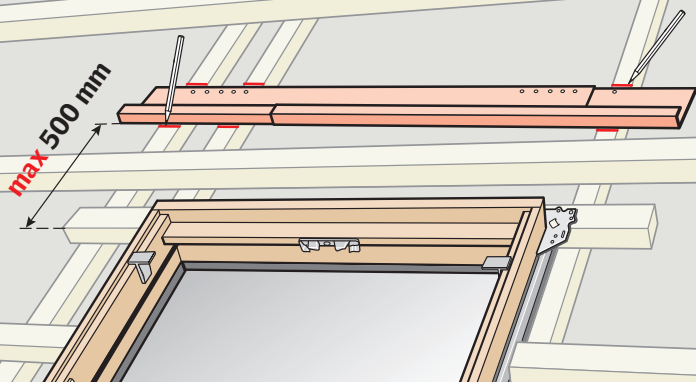
13



21

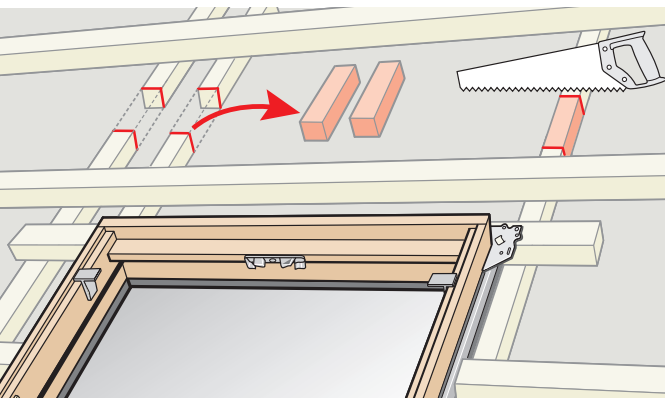
13

BFX



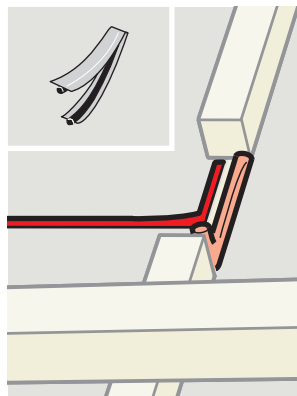
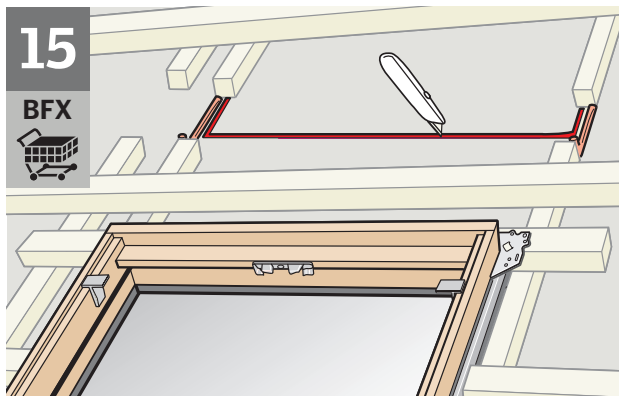
14

BFX



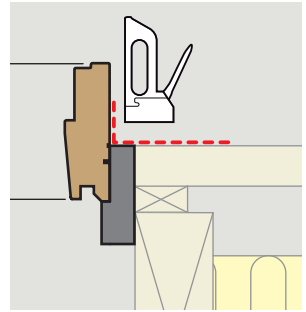
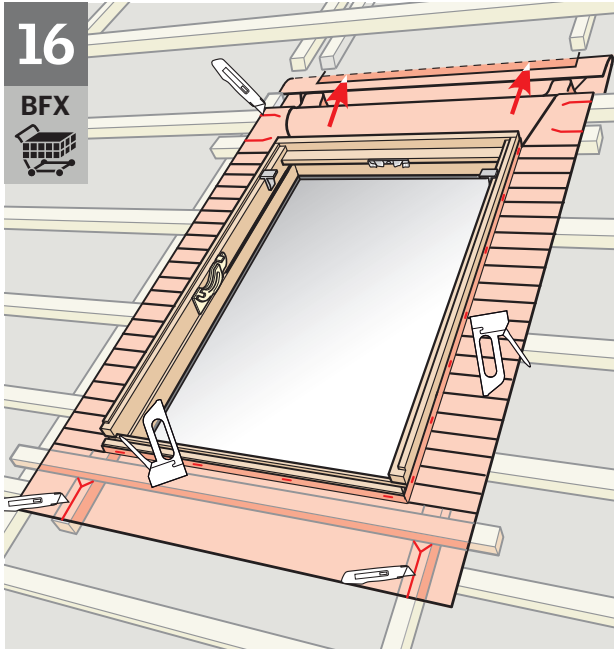
15

BFX



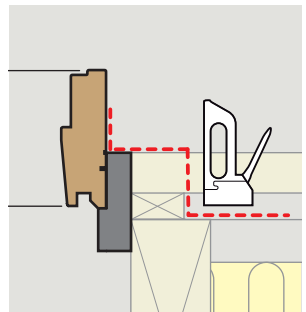
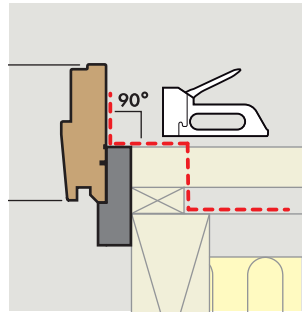
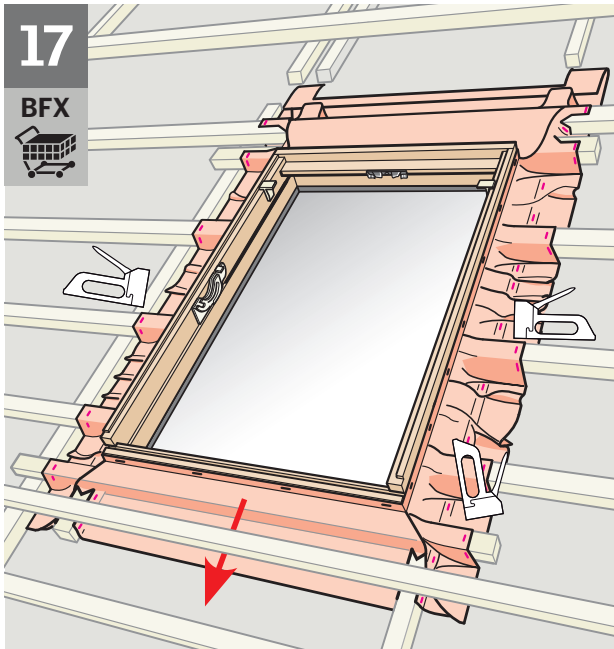
16

BFX



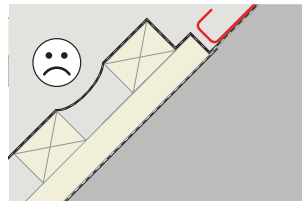
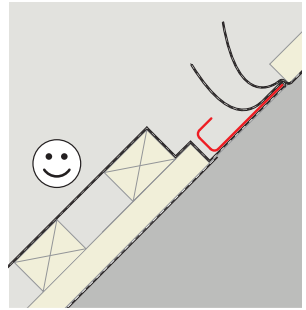
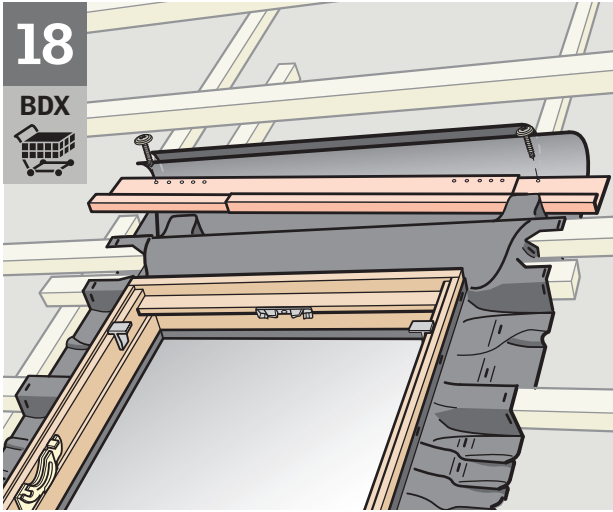
17

BFX



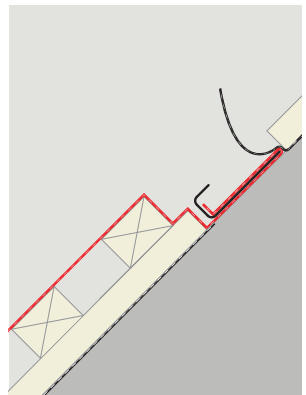
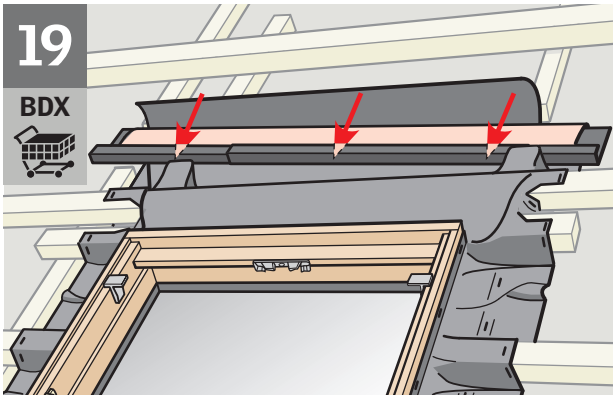
18

BDX



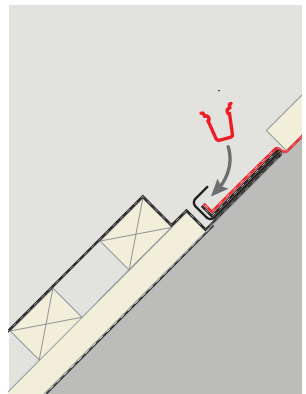
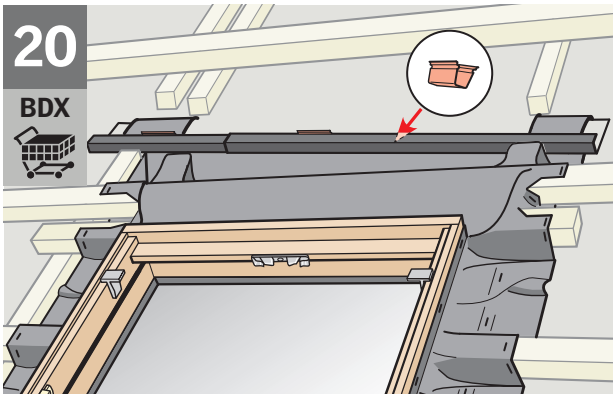
19

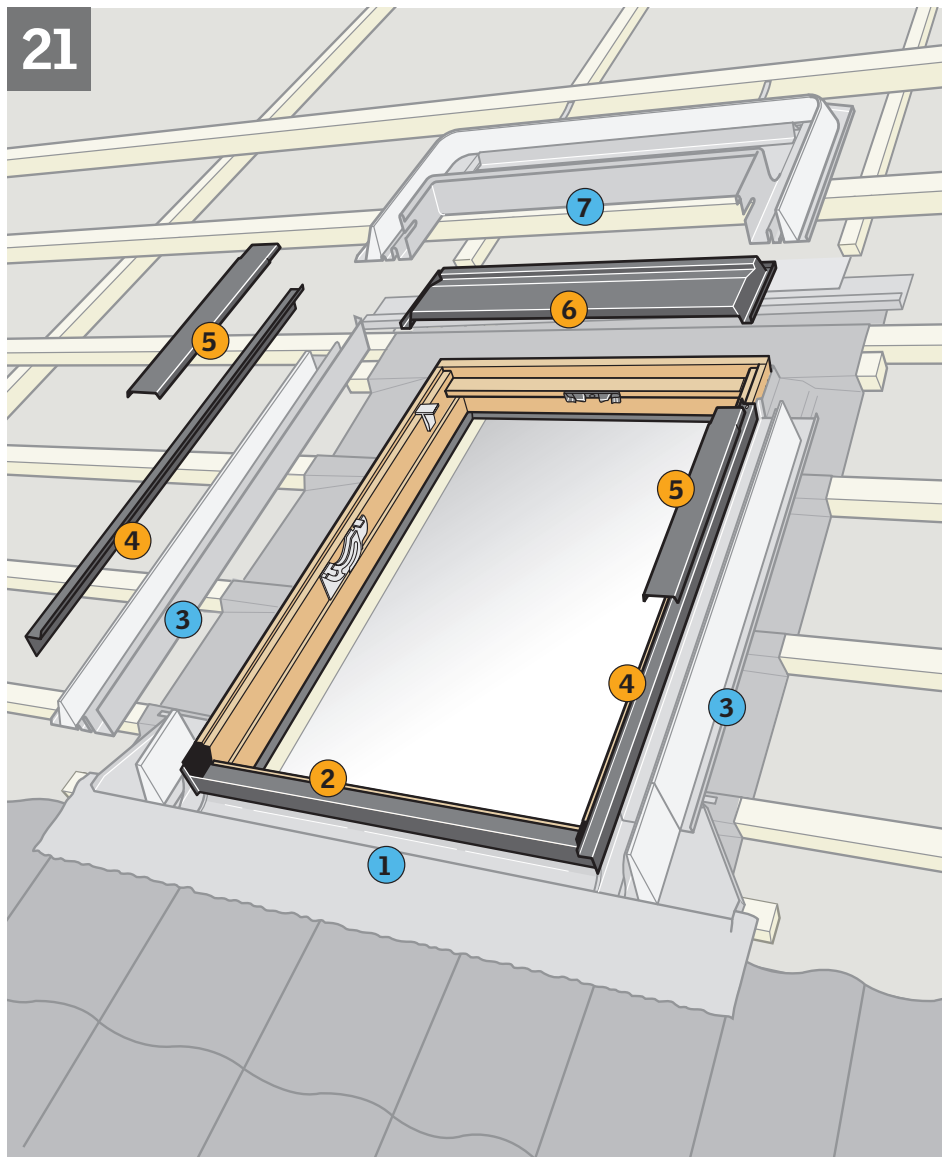
BDX



20

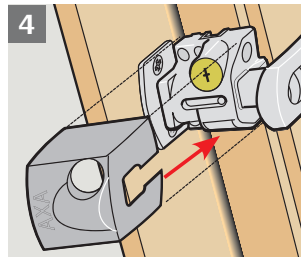
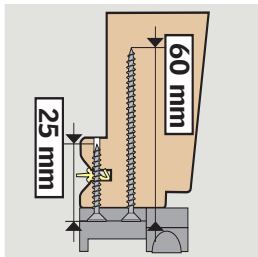
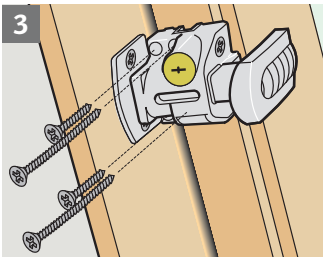
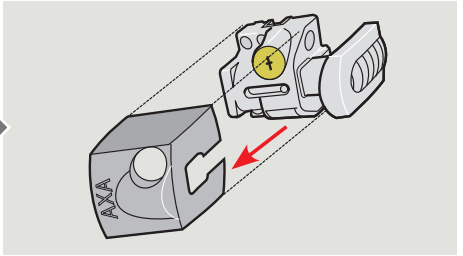
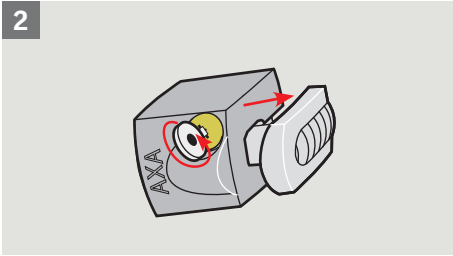
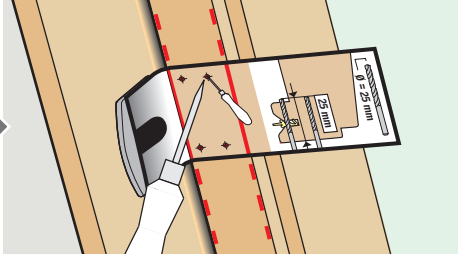
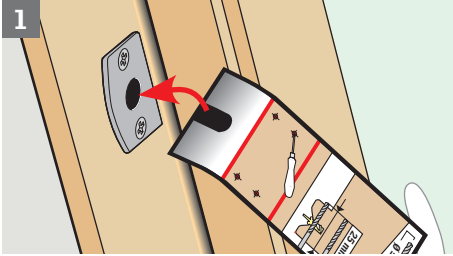
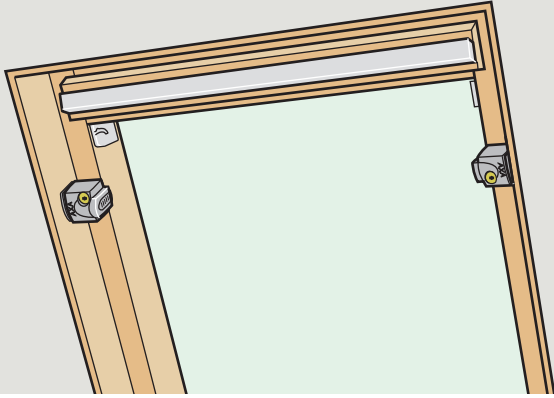
BDX





EDW
EDZ
EDL
EDS





AR: VELUX Argentina S.A. 0 114 711 5666	IE: VELUX Company Ltd. 1800 409 750
AT: VELUX Österreich GmbH 02245/32 3 50	IT: VELUX Italia s.p.a. 045/6173666
AU: VELUX Australia Pty. Ltd. (02) 9550 3288	JP: VELUX-Japan Ltd. 0570-00-8145
BA: VELUX Bosna i Hercegovina d.o.o. 033/626 493, 626 494	LT: VELUX Lietuva, UAB (85) 270 91 01
BE: VELUX Belgium (010) 42.09.09	LV: VELUX Latvia SIA 67 27 77 33
BG: VELUX Bulgaria EOOD 02/955 95 26	NL: VELUX Nederland B.V. 030 - 6 629 629
BY: VELUX Roof Windows FE. (017) 217 7385	NO: VELUX Norge AS 22 51 06 00
CA: VELUX Canada Inc. 1 800 88-VELUX (888-3589)	NZ: VELUX New Zealand Ltd. 09-6344 126
CH: VELUX Schweiz AG 0848 945 549	PL: VELUX Polska Sp. z o.o. (022) 33 77 000 / 33 77 070
CL: VELUX Chile Limitada 2-231 18 24	PT: VELUX Portugal, Lda 21 880 00 60
CN: VELUX (CHINA) CO. LTD. 0316-607 27 27	RO: VELUX România S.R.L. 0-8008-83589
CZ: VELUX Česká republika, s.r.o. 531 015 511	RS: VELUX Srbija d.o.o. 011 3670 468
DE: VELUX Deutschland GmbH 0180-333 33 99	RU: VELUX Rossia ZAO (495) 737 75 20
DK: VELUX Danmark A/S 45 16 45 16	SE: VELUX Svenska AB 042/20 83 80
EE: VELUX Eesti OÜ 621 7790	SI: VELUX Slovenija d.o.o. 01 724 68 68
ES: VELUX Spain, S.A. 91 509 71 00	SK: VELUX Slovensko, s.r.o. (02) 33 000 555
FI: VELUX Suomi Oy 0207 290 800	TR: VELUX Çatı Pencereleri Ticaret Limited Şirketi 0 216 302 54 10
FR: VELUX France 0821 02 15 15 0,119€ TTC/min	UA: VELUX Ukraina TOV (044) 490 5703
GB: VELUX Company Ltd. 0870 380 9593	US: VELUX America Inc. 1-800-88-VELUX
HR: VELUX Hrvatska d.o.o.. 01/5555 444	
HU: VELUX Magyarország Kft. (06/1) 436-0601	